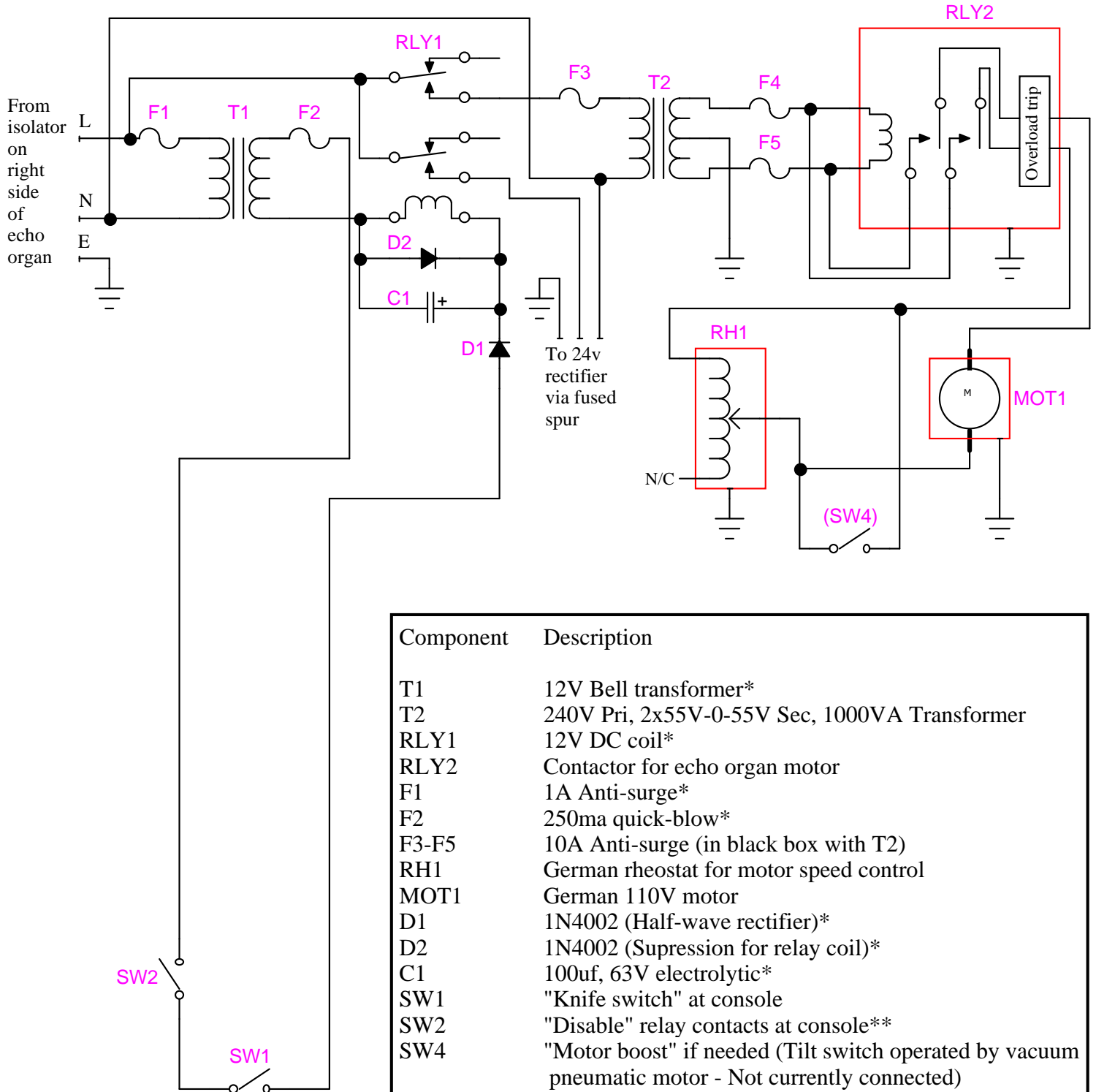


# Salomons Welte Echo organ switching schematic



Component	Description
T1	12V Bell transformer*
T2	240V Pri, 2x55V-0-55V Sec, 1000VA Transformer
RLY1	12V DC coil*
RLY2	Contactor for echo organ motor
F1	1A Anti-surge*
F2	250ma quick-blow*
F3-F5	10A Anti-surge (in black box with T2)
RH1	German rheostat for motor speed control
MOT1	German 110V motor
D1	1N4002 (Half-wave rectifier)*
D2	1N4002 (Supression for relay coil)*
C1	100uf, 63V electrolytic*
SW1	"Knife switch" at console
SW2	"Disable" relay contacts at console**
SW4	"Motor boost" if needed (Tilt switch operated by vacuum pneumatic motor - Not currently connected)

\* In IP66 grey box at echo location  
 \*\* In grey transformer box at console location (see sheet 2)

N.B. Contactor trip (RLY2) MUST be set to manual (hand) re-set.