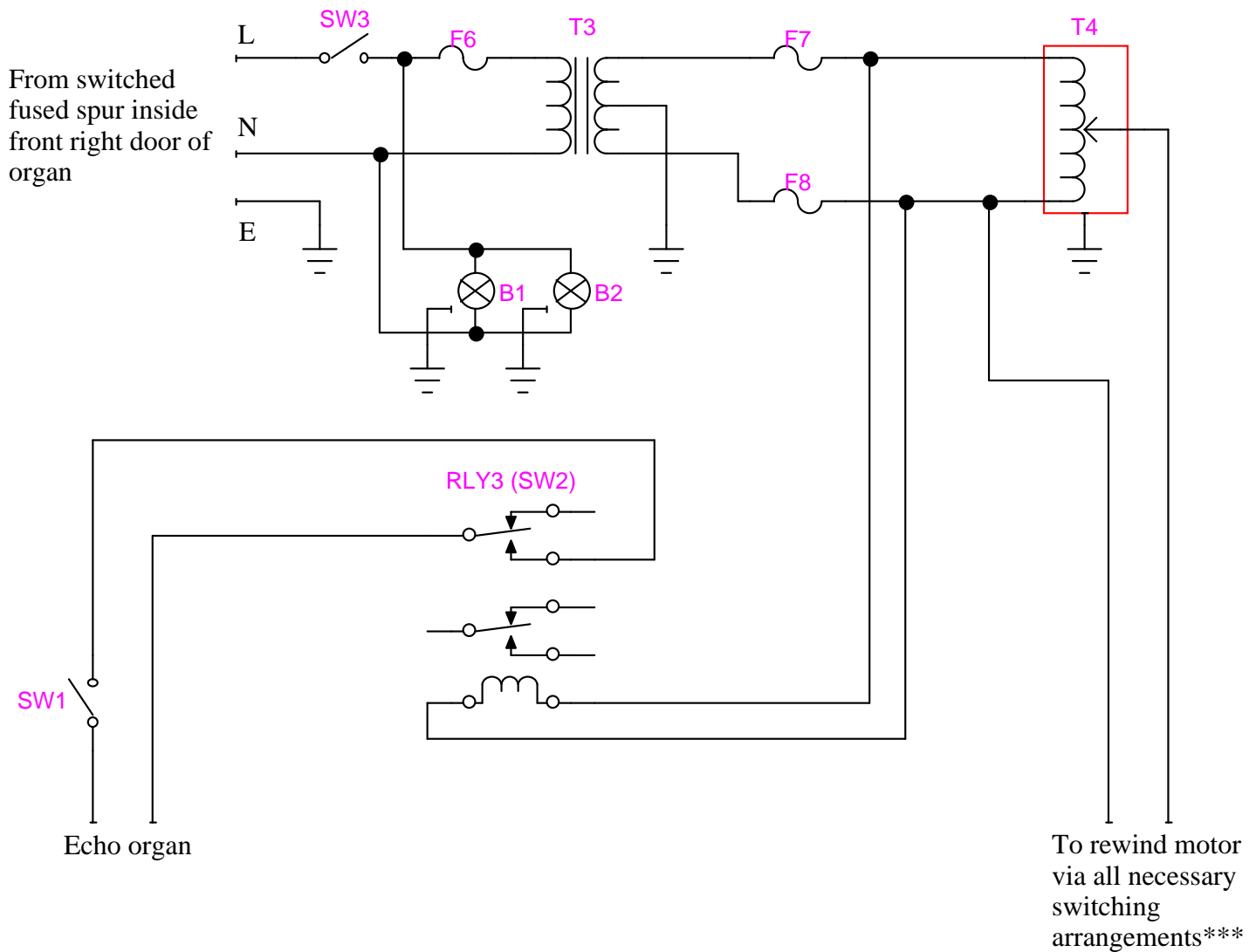


Salomons Welte Main organ switching schematic



Component	Description
T3	240V Pri, 55V-0-55V Sec, 1000VA Toroidal Transformer*
T4	8A Auto-transformer (variac)**
RLY3	120V AC coil*
F6-8	10A Anti-surge*
SW1	Knife switch on console
SW3	Switch to close when bellows of main organ is up
B1,2	Pygmy bulbs under key-bench

* In grey transformer case at right end of console (on floor)
 ** In grey transformer case at right end of console (on knee return)

***See sheet 3 for details